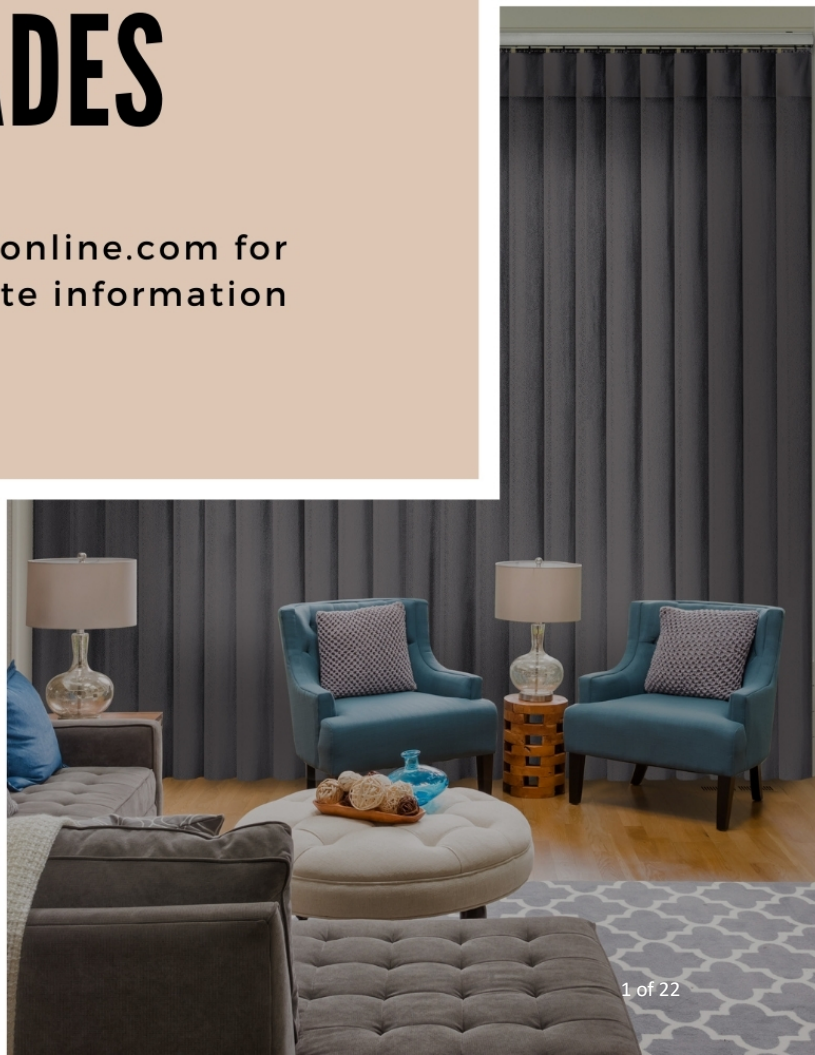




**2024 PRICE GUIDE
EFFECTIVE MAY 1ST, 2024**

VERTI-SHEER SHADES

See www.htwfonline.com for
most-up-to date information



CONTENTS	PAGE
General Info	
Contact Us	3
Terms of Sales	4
Freight, Repair, and Rush Order Surcharges	5
Product Info	
Color/ Sizes/ Spec	7-9
Prices	10
Commercial Solutions	
Measure The Windows	11
Warranty Policy	12
Contractor Quotes	13
New Account Application	14-19
Sample Order Form	20
Order Form	21

General Info

Product Info

Commercial Solutions

CONTACT US

Please submit your orders online at
www.htwfonline.com, via email at
emailorder@richview.com or by fax at
626-839-8861.



Customer Service Department

Monday ~ Friday 6:00Am - 5:00Pm Pacific Time

Will Call

Monday ~ Friday 9:00Am - 3:30Pm Pacific Time

1-800-879-9512
www.htwfonline.com

770 S. Epperson Drive,
City Of Industry, CA 91748

PRICE/ QUOTATION

All HT window fashions™ (HT) products and parts pricing are FOB City of Industry, not including freight. The price is subject to change without notice.

To ensure order accuracy, complete order options and specification information, please use the HT order form. The HT ORDER FORM can be found on the latest page of the price book and on the HT website at www.htwfonline.com.

Make copies to get additional blank order forms when needed.

HOW TO SUBMIT YOUR ORDERS

- **Online orders**

Online ordering is available on the HT website www.htwfonline.com with your dealer login ID and password.

You will receive the order confirmation via email within 24 hours after order submitted.

The HT online ordering system provides you the convenience, accuracy, and expediency. Please call HT customer service to obtain the dealer login ID and password.

- **Email Orders**

Dealers are able to download order form from www.htwfonline.com, then complete the order form and submit it to emailorder@richview.com.

- **Fax Orders**

Faxed orders will be confirmed within 24 hours. Fax number is 626-839-8861.

CANCELLATION OR CHANGE ORDERS

IMPORTANT! Due to the customized nature of our products, we can not accept changes or cancellations after orders have been put into production.

ORDER TRACKING AND STATUS

Order confirmations are sent via email within 24 hours of placing order. Please make sure you have your email on file with HT.

Faxed confirmations are available upon request only. To track your order or check the status of your order, please contact customer service with your work order number.

LEAD TIME

Typically, custom orders (less than 15 units) are manufactured and shipped within 5 business days. All custom and stock orders are subject to inventory availability. Orders placed after 2:30 p.m. PST are considered as next day business.

CONTRACTOR QUOTE/ COMMERCIAL QUOTE

HT window fashions™ (HT) is an industry leader in providing medium and large contract/commercial quotes.

Contract/Commercial Quotation Requirements

- Minimum quantity for cellular shade and others: 15
- All commercial quotes are valid for 90 days.
- Expired quotes are subject to a 0.5% increase per month.

Quote policy

- HT does not guarantee stock shade availability in all sizes. Order quantities are subject to final confirmation.
- Shipping date will be confirmed upon placement of order and is dependent on stock availability, total units, production and scheduling considerations.
- Quoted price does not include tax.
- Any change, including but not limited to size, color, controls, quantity, ship to location, ship date or number of the shipments, may result in a change in price.
- Deposit may be required.

FREIGHT

STANDARD SHIPPING & HANDLING, DELIVERY & FREIGHT POLICIES:

- \$8.00 freight charge per unit for the cellular shade.
- The minimum freight charge is \$20.00 per order.
- Oversize (94" or above) charge is \$110.00 per shipment without quality limit. Oversize charge is in addition to the freight charge.
- For express shipment, shipment to Alaska, Hawaii and foreign countries, freight will be quoted separately.
- Freight collect and using preferred carrier is optional.
- Next Day, 2nd Day Air and 3 Day select shipping options are available. Actual freight will be applied.

FREIGHT DAMAGE AND SHORTAGES:

Please inspect all shipments immediately and carefully. Please report damages and shortages on the delivery receipt and notify HT customer service within 48 hours. No freight damage claim will be accepted after 30 days from shipping.

REPAIR FEES

REPAIRING SERVICES	FEES/ PER SHADE
Shorten the height	\$40.00
Cut down width	\$25.00
Repair carrier and spacer	\$20.00
Change control position	\$25.00
MINIMUM REPAIR CHARGE	\$20.00

****NOTE:** All repair charges do not include freight. Standard shipping charges will be applied.

RUSH ORDER SURCHARGES

- Rush orders are subject to inventory availability and production schedule.
- Same day rush must be submitted by 10 a.m. Pacific Time to be processed on that business day.
- 24- and 48- hour rushes must be submitted by 2:30 p.m. Pacific Time to be processed on that business day.

RUSH OPTIONS	SURCHARGE/ PER SHADE
Same day production rush	\$40.00
24-hour rush	\$15.00
48-hour rush	\$8.00

VERTI-SHEER SHADES

Soften the light and invite the view in.



- 100% cordless
- Walk through and kid friendly design
- Say goodbye to glare and hello to views
- Ideal for large windows, patio doors, and balcony doors

CUSTOM VERTI-SHEER SHADE SPECIFICATION

Manufacturer	HT Window Fashions, City of Industry, California USA
Fabric	Verti-sheer shade fabric is made of woven knitted material, 100% polyester. Fabrics are available in two patterns and most popular colors. Top of vertical vanes are laminated with non woven backing material. Height of the lamination is 4-3/4". Verti Sheer fabric is machine washable (in cold water and hang to dry).
Headrail	Verti-sheer shade head rail is made of aluminum. Head rail dimension is 1-1/2" high by 2" deep. Total depth with installation bracket is 4-3/4". Including vanes at open position, total depth is 7-7/8". Headrail is powder coated in 4 colors, including white #001, cream #005, transparent aluminum #091, and black #025. Headrail end caps are made of PVC.
Carrier	Series of plastic carriers hold the clips on top of fabric. Carriers are connected with 4-1/2" spacers. Sufficient number of carriers are assembled inside the headrail to minimize gap and light leak between vanes. Carriers and carrier spacers are made of Polyoxymethylene (POM).
Clips	Clips are made of Polycarbonate (PC). Color is transparent.
Wand	Wand is made of PVC. It is available in 30", 36", 48" and 60". Wand is painted in white. Wand is positioned behind the vane when the shade is closed. It minimizes the light leak from side.
Installation Bracket	Constructed of cold rolled steel. Power coated in 4 colors, including white #001, cream #005, transparent aluminum #091, and black #025. Hex-head screws are included.
Fire Safety	Regular cellular shade fabric is not fire retardant.

Verti-Sheer Fabric Options and Color Coordination

Opacity	Fabric Color Name	Illusion Fabric	Venetian Fabric	Headrail*	Lamination Backing Material	Wand
		Item#	Item#			
Light Filtering	Cotton	VS01BA160-001	VS04DA160-001	001	001	001
	Gray Sheen	VS01BA160-021	VS04DA160-021	091	021	
	White Dove	VS01BA160-069	N/A	005	069	
	Stick & Stone	VS01BA160-519	N/A	005	519	
	Shell	N/A	VS04DA160-695	005	519	
	Magnet Gray	VS01BA160-662	VS04DA160-662	025	662	

* The headrail, end caps, and installation brackets are available in 4 colors, including white #001, cream #005, transparent aluminum #091, and black #025.

Standard Wand Control

Shade Height	Wand Length
≤ 72"	30"
72" ~ 83.9"	36"
84" ~ 97.9"	48"
98" ~ 118"	60"

Size Limitation

Minimum Width	16"
Minimum Height	36"
Maximum Width	144"
Maximum Height	118"

Bracket Quantity

Shade Width	Quantity
≤ 78"	2
78" ~ 116.9"	3
117" ~ 144"	4

Configurations and features

Operation	Standard		Center Split	Stack At Will
	Left Stack	Right Stack		
Stack Location				
Wand Location				
Wand quantity	1	1	2	2
Headrail Material	Aluminum	Aluminum	Aluminum	Aluminum

- The gap between 2 shades on the CENTER SPILT is 1/4" ~ 3/8" when panels are at open position. There is no gap when fabric panels are closed.
- The distance between the fabric vane and headrail end cap is 1/2" when vanes are at the open position.
- The wand and fabric panels can travel and be stopped at any location between 2 end caps on the **STACK AT WILL** system.
- The wand will be attached behind the fabric panel to minimize the gap.
- When inside mount, the outer 2 fabric panels will touch to the side wall when closed to minimize the gap.
- The **Standard Deviation** for the shade height is **1/4"**.

Product Care

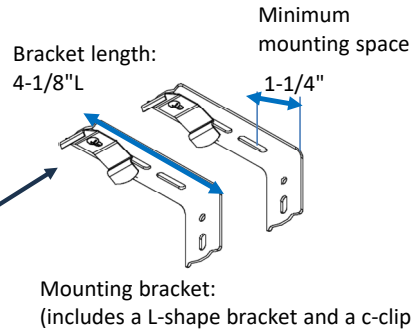
- Wrinkles and creases may occur. It is natural for this product after transportation, installation or cleaning.
- To reduce the wrinkles, please hang it for several days to help minimizes the wrinkles.
- You may choose to steam or iron the fabric panels.
- Take the fabric vanes down from the headrail and remove clips before laundry. Wash with cold water in a gentle cycle, no extra spin. Do not use bleach and dryer. Hang it to dry.
- Spot clean is recommended as well.

*Product specification is a subject to change without notice.

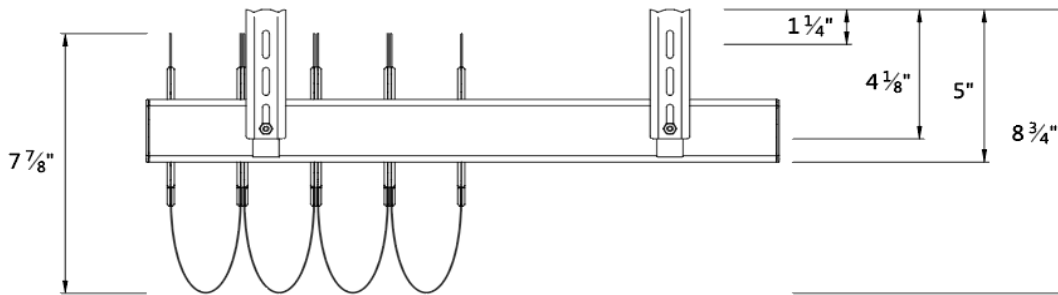
Product Specification

Minimum Mounting Space (IM)	1-1/4"D
Minimum Flush Inside Mounting Space	8-3/4"D
Mounting Bracket Length	4-1/8" L
Spacer size	4-1/4" W

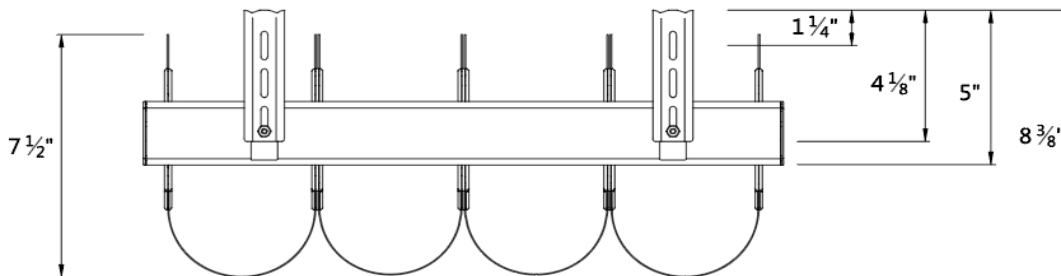
C-clip:
Designed for holding the headrail and can be mounted to the ceiling without the L-shape bracket.



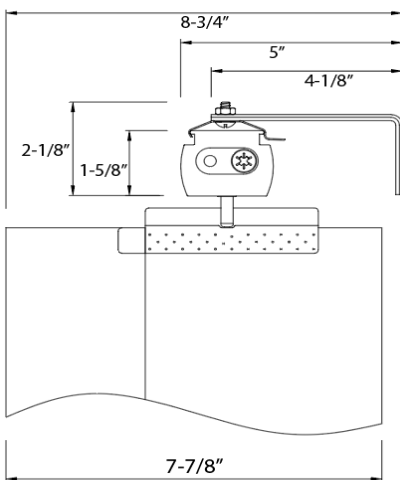
When fabric vanes stacked at the side:



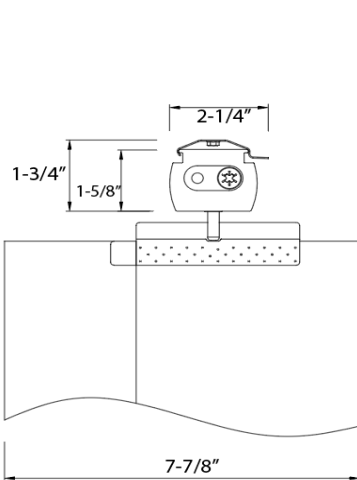
When fabric vanes at open position:



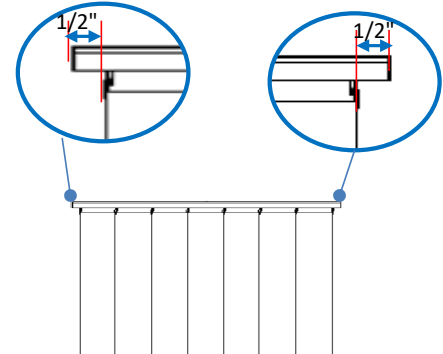
Side view with the mounting bracket



Side view with the c-clip only



The distance between the fabric vane and headrail end cap is 1/2" when vanes are at the open position.



Illusion Light Filtering Venetian Light Filtering																		Standard Shade (Left or Right Stack)		
HEIGHT TO:	WIDTH TO:	16"- 36"	42"	48"	54"	60"	66"	72"	78"	84"	90"	96"	102"	108"	114"	120"	126"	132"	144"	Panel
HEIGHT TO:	36"	357	374	423	471	519	566	603	652	685	726	771	819	855	892	950	1000	1032	1071	40
	48"	371	403	458	508	549	603	649	700	721	758	795	844	892	939	987	1037	1068	1106	44
	60"	411	445	482	529	579	637	663	721	747	795	845	877	914	974	1011	1106	1176	1214	48
	72"	447	508	518	579	616	685	711	758	782	855	892	927	1000	1048	1095	1179	1261	1287	52
	84"	516	588	600	639	691	764	803	843	906	957	1021	1060	1121	1172	1225	1340	1414	1454	56
	96"	532	614	625	675	742	803	868	906	959	1021	1072	1132	1200	1236	1326	1468	1579	1642	60
	108"	561	639	664	722	792	868	918	957	1021	1099	1161	1200	1314	1390	1518	1632	1696	1837	64
	118"	590	675	691	764	829	906	969	1046	1083	1161	1229	1314	1403	1506	1683	1733	1886	2042	67

Manufacturer's suggested retail price

Prices

Illusion Light Filtering Venetian Light Filtering																		Center Split & Stack At Will		
HEIGHT TO:	WIDTH TO:	16"- 36"	42"	48"	54"	60"	66"	72"	78"	84"	90"	96"	102"	108"	114"	120"	126"	132"	144"	Panel
HEIGHT TO:	36"	393	411	465	518	571	623	663	717	754	799	848	901	941	981	1045	1100	1135	1178	40
	48"	408	443	504	559	604	663	714	770	793	834	875	928	981	1033	1086	1141	1175	1217	44
	60"	452	490	530	582	637	701	729	793	822	875	930	965	1005	1071	1112	1217	1294	1335	48
	72"	492	559	570	637	678	754	782	834	860	941	981	1020	1100	1153	1205	1297	1387	1416	52
	84"	568	647	660	703	760	840	883	927	997	1053	1123	1166	1233	1289	1348	1474	1555	1599	56
	96"	585	675	688	743	816	883	955	997	1055	1123	1179	1245	1320	1360	1459	1615	1737	1806	60
	108"	617	703	730	794	871	955	1010	1053	1123	1209	1277	1320	1445	1529	1670	1795	1866	2021	64
	118"	649	743	760	840	912	997	1066	1151	1191	1277	1352	1445	1543	1657	1851	1906	2075	2246	67

Manufacturer's suggested retail price

Measure each window individually as sizes may vary. Measure width first, then height (length) to the nearest 1/8". Measure width from left to right, height from top to bottom using a metal tape measure.

PLEASE DO NOT USE A CLOTH TAPE!

Inside Mount:

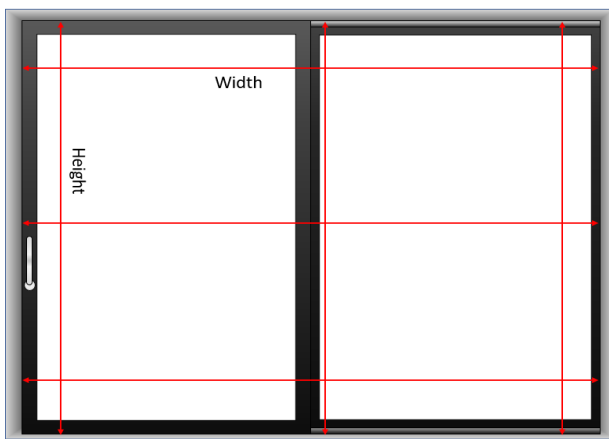
Inside mount shades are installed inside the window frame.

1. Measure the exact inside width of the window frame from one inside edge to the other. Take three measurements - one near the top, one in the center, and one near the bottom. Record the narrowest measurement.
2. Measure the exact height in three places: left, center and right from top edge of opening to top of sill. Record the longest measurement for the verti sheer shades.
3. Do not take deductions on inside mount measurements. The factory will take a 1/4" allowances on the width and 1" on the height for operating clearance.
4. Measure the window diagonally in two places as shown. If the two diagonal measurements are not the same, we suggest an outside mount application for the best shade performance and appearance.

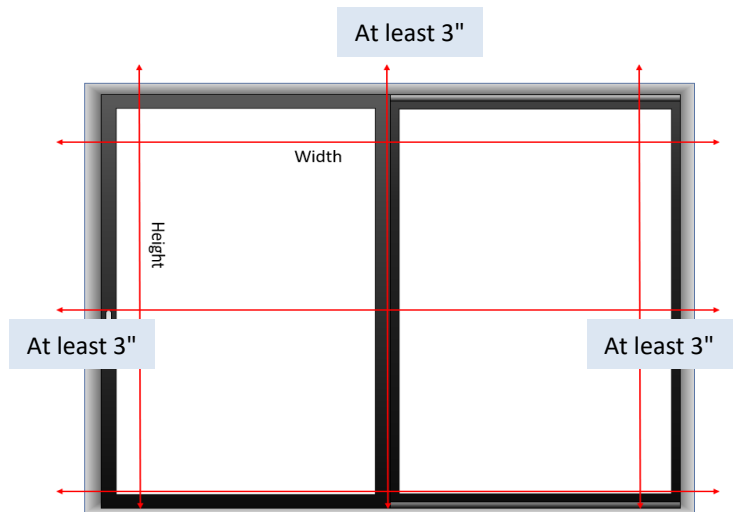
Outside Mount:

Outside mount shades are installed outside the window frame, covering an area larger than the window itself.

1. Measure the exact width of area to be covered. Be certain the measurement overlaps the window opening by at least 3" on each side to ensure privacy and light control.
2. Measure exact height to be covered, including desired overlap (usually from top edge of molding to bottom edge, or to top of sill). If there is no sill, measure to where the shade is to reach.
3. The factory does not make deductions for an outside mount.



Inside Mount (IM)



Outside Mount (OM)

For more questions about how to measure your window, please contact our customer at 1-800-879-9512.

LIMITED LIFETIME MANUFACTURER WARRANTY

WHAT IS COVERED BY THE WARRANTY

- Warranty is offered to the original owner.
- The warranty only applies to products installed properly in the window for where they were intended, following HT Window Fashion's installation instructions, care guide, programming instructions, and suggestions.
- HT's warranty applies to products made and assembled solely with HT's original materials.
- Warranty will repair or replace the product solely at HT's option due to defective material or poor workmanship.
- This warranty gives you specific legal rights and you may also have other rights, which vary from the state to state.

WHAT IS NOT COVERED BY THE WARRANTY

- This warranty does not apply to any HT products damaged by accident, misuse, abuse, direct exposure to salty air or improper moisture, discoloration due to sunlight, under exposure or irregular temperature.
- This warranty does not apply to conditions caused by normal wear and tear upon the product. It does not apply to any product damaged by fire, flood, wind, rain, lightning, or other act of nature environment.
- In no event shall HT be liable for incidental or consequential damage, loss, cost, expense or fee.
- Warranty does not apply to liquidated or discontinued items.
- Warranty does not include shipping charges.

ABOUT THE SHIPPING AND RETURN FEES

- **Within 12 months**
HT pays for return on the repairs within 12 months of receipt of the products. HT will ship the products back to the customer for free.
- **After 12 months**
The customers are responsible for the return shipping. HT will cover the repair cost and ship it back for free.

HOW TO OBTAIN WARRANTY SERVICE

Please contact HT Window Fashions customer service with the following information, including:

- Original sales receipt
- Model and identification numbers
- Detail description of defect

RETURN ADDRESS AND PHONE NUMBER

770 South Epperson Drive,
City of Industry, CA 91748
Tell: 1-800-879-9512

HT Window Fashions™ is your one-stop destination for all your contract needs. We specialize in the verti sheer shades, aluminum blinds, and cellular shades. We will configure the program and quote to fit your budget, time and special needs.

We offer:

- Quick Ship - customized or custom fabrication – shipped in 7-10 business days or less*
- Cross Dock - overseas production – 75 days*
 - o Direct Import pricing on full and partial container quantities

**Lead times are confirmed based on the order size, special needs, and production schedule.*

It is as easy as 1-2-3

1 Submit your quote request via email, fax or phone with attention "Sales Quote"

Email address	emailorder@richview.com
Fax	626-839-8861
Toll Free	800-879-9512

We encourage you to submit quote request via email for better accuracy.

- 2 Our quote specialist will work with you on special needs such as products, packaging, and pricing during your bidding time.
The confirmation will be emailed back within 24 hours.
- 3 Please review your quote and confirm it via email or fax to give us your approval. The customer service will convert it to an order and process.

Terms:

- Minimum Order Quantity (MOQ) for the contractor quote is 15 units.
- All contract quotes are guaranteed for 90 days.
- When and if necessary - the quote older than 90 days are the subject to a 0.5% price adjustment per month, subject to the material cost increases.
- Deposit may be required.

Please reach out the Contract Department for your quote.

Email address	emailorder@richview.com
Fax	626-839-8861
Toll Free	800-879-9512



BECOME OUR PARTNER

Fill out the account application form with your signature. Email it to sales@richview.com or fax to 626-839-8861. Our Sales Department will follow up with you.

770 S. Epperson Dr.
 City of Industry, CA 91748
 (626) 839-8866 (800) 879-9512
 (626) 839-8861 Fax
WWW.HTWFONLINE.COM

New Customer Application

Legal Entity:

- Sole Proprietor
- Corporation
- Partnership
- Limit Liabilities Company (L.L.C.)
- Other _____

Business Operated From:

- Retail Store Front
- In-Home Business
- Industrial Center
- eCommerce

HT OFFICE USE ONLY

Acct #:
Terr #:
Approval:

Estimated Monthly Purchases: \$ _____ # Locations: _____ # Employees: _____

General Information

Legal Name _____	Phone _____
Trade Name (DBA) _____	Fax _____
Address _____	Website _____
City, State, Zip _____	E-Mail _____
Years in Business _____	Fed.ID _____

Personal Information of President, Owner, CEO, Partners

Name & Title _____	Name & Title _____
Home Address _____	Home Address _____
City, State, Zip _____	City, State, Zip _____
Cell/E-mail _____	Cell/E-mail _____
Social Security _____	Social Security _____

Bank References

Name _____	Name _____
Address _____	Address _____
City, State, Zip _____	City, State, Zip _____
Account No. _____	Account No. _____
Phone _____	Phone _____
Fax/E-Mail _____	Fax/E-Mail _____

The undersigned hereby authorize HT window fashions™ to review any information provided for the purpose of establishing credit. It is agreed that the undersigned will hold harmless the companies engaging in the exchange of such information and understands that the information provided is used for credit worthiness as a routine business practice. I also authorize release of my credit information to a credit service agency for the purpose of establishing an account with HT window fashions™.

 Authorized Signature

 Company Name

 Print Name

 Date

IMPORTANT! Application Cannot Be Processed Without Customer Signature

New Account Application

Name	_____
Address	_____
City, State, Zip	_____
Account No.	_____
Phone	_____
Fax/Email	_____

Name	_____
Address	_____
City, State, Zip	_____
Account No.	_____
Phone	_____
Fax/Email	_____

Name	_____
Address	_____
City, State, Zip	_____
Account No.	_____
Phone	_____
Fax/Email	_____

Name	_____
Address	_____
City, State, Zip	_____
Account No.	_____
Phone	_____
Fax/Email	_____

Requested Terms

Net 30 Day Terms

Credit Card
Cash / Check

New Account Application

By:

_____ Requested Terms - Authorized Signature (Print Name) Date

Personal Guarantee - Net 30 Day Terms

The undersigned, in consideration of you extending credit at my request to _____ (hereinafter referred to as the "Company") hereby personally guarantee to you payment of any obligation of the Company and I hereby bind myself to pay you on demand any sum which may become due to you by the company whenever the Company shall fail to pay the same. It is understood that this guaranty shall be a continuing and irrevocable guarantee and identity for such indebtedness of the company. I do hereby waive notice of default, non-payment and extension of credit. The undersigned guarantor agrees to pay, in the event the amount becomes delinquent and is turned over to any attorney for collection, attorney's fee and all attendant collection costs. It is understood that this guaranty may be enforced without first having to sue the corporation of business which has incurred the debt. For purposes of the guaranty it is agreed that I will be responsible for the corporate or business debt even though my name does not appear on the invoices or billings.

By: _____ Authorized Signature (Print Name) Date

TERMS	Due and payable in full within established time from date of invoice unless otherwise agreed upon in writing.
LATE PAYMENT	Past due amounts are subject to late payment service charges of 1.5% per month, HT reserves the rights to hold customer orders, switch payment terms, submit delinquent account history and information to industry credit agencies, and pursuit legal actions.
NSF CHECKS	A service charge of \$30 will be applied to each returned check.
RETURNS	No returned goods will be accepted without authorization and freight charges must be prepaid by customer. HT does not accept returns other than stock blinds. HT only accepts stock blinds returns when all the following conditions are present: Merchandise (s) with un-opened boxes and not cut downs; HT must receive the return merchandise (s) within 14 days from the invoice date. Note: All returns are subject to a 20% restocking fee.
FREIGHT DAMAGE CLAIMS	Customer assumes full responsibility of all goods when goods are received and signed for by Customer or Agent (including any obvious or hidden freight damage if Supplier is not notified within 48 hours).
TITLE	Title to any and all goods or materials hereafter purchased shall remain with Supplier until the full purchase price has been paid.
FAILURE TO PAY OR INSOLVENCY	Failure by customer to pay any part of the purchase price when due, or in the event that proceeding in bankruptcy, receivership, or insolvency are instituted by or against Customer or his property, supplier may, at its option, cause the entire unpaid balance to become due and immediately payable, and supplier shall have the right to enter at anytime without notice upon the premises where any of the materials purchased by Customer are located. Customer hereby expressly waives any right to action which may occur by reason on the entry for taking possession of or the selling of said materials and agrees to pay all costs incurred with respect thereto including service charges, all 3rd party collection fees, finance charges, reasonable attorney's fees and court costs.
ENTIRE AGREEMENT	This Agreement covers all materials which Customer may hereafter acquire at any time from Supplier. This contract constitutes the entire Agreement with Supplier. No waivers or modifications shall be valid unless the same are in writing and executed by both parties hereto. This contract shall apply and accrue to the benefit of, and be binding upon, the heirs, executors, administrators, successors, and assigns of the respective parties. This Agreement applies to all invoices involving labor, product or services rendered by Tehdex Corp.
LITIGATION	In the event of any litigation arising out of this agreement, Supplier shall be entitled to its reasonable costs and expenses incurred including attorney's fees.
STATE LAWS	This Purchase Agreement shall be governed by the laws of the States of California.
RECEIPT OF A COPY	Customer hereby acknowledges the receipt of a copy of this Agreement at the time of its execution.
By:	_____ Company Name: _____ (signature)
Position:	_____ Date Accepted: _____

New Account Application

Please complete and return form with a copy of your original seller's permit. **All accounts without completed forms will be charged sales tax.**

Name of Purchaser

Address

Address

City, State, Zip

I hereby certify that: I hold valid sellers permit No. _____ issued pursuant to the Sales and Use Tax Law; that I am engaged in the business of selling _____; That the tangible personal property described herein which I shall purchase from HT Window Fashions will be resold by me in the form of tangible personal property provided, however, that in the event of any such property is used for any purpose other than retention, demonstration, or display while holding it for such sale in the regular course of business, it is understood that I am required by Sales and Use Tax Law to report and pay tax, measured by the purchase price of such property.

Description of property to be purchased; _____

By: _____ Print Name: _____
(signature of purchaser or agent)

As: _____ Date Accepted: _____
(position/title)

Phone Number: _____



New Account
Application

Thank you for giving us the opportunity to service your wholesale custom window covering needs. We know you have many choices when it comes to selecting a fabrication source and we will do our best to provide the highest level of quality products and services at the industry's most competitive wholesale prices. We appreciate your taking the time to complete our Customer Application Form in its entirety and we look forward to manufacturing your custom orders.

HT Window Fashions Management

Thank You

HT Window Fashions

770 SOUTH EPPERSON DRIVE

CITY OF INDUSTRY, CA 91748

PHONE (626) 839-8866

(800) 879-9512

Authorization Form Instructions:

*Please Type "Yes" - authorize or "No" - not authorize
(If Yes - continue and sign this form below / If No - stop here)

Contact HT Window Fashions Credit Department with any Question

Credit Card Type: Visa Master Card American Express*

*Note: Due to higher merchant fees, payments made using the AMEX card will incur an added 1.5% processing fee.

Name on the Card: _____

Credit Card Number: _____

Expiration Date: MM/YEAR _____ / _____

AVS: (card security code) _____ For Visa, MasterCard card security code is a 3 digit code printed on the signature strip on the back of the credit card. For American Express, the code is a 4-digit number on the front of the card above the account number.

Person other than card owner authorized to approve credit card payment:

_____**Credit Card Billing Address:**

Street: _____

City: _____

State: _____ Zip Code: _____

Daytime Telephone Number: _____

Evening Telephone Number: _____

 authorize HT Window Fashions Corporation to charge my credit card:_____
Cardholder's Signature_____
Date

**I authorize Credit Manager to change my terms to Credit Card.
Orders will automatically be charged to Credit Card.**

 Yes No

Please note: A 1.5% transaction fee will apply to all payments applied to past due balances

VERTI-SHEER SHADE ORDER FORM

770 S Epperson Dr.
City of Industry, CA 91748

TEL (800) 879-9512
FAX (626) 839-8861

CUSTOMER ID: _____

CUSTOMER NAME: _____

ORDERED BY: _____

P/O: _____

SIDE MARK: _____

SHIP TO: _____

DATE: _____

QUOTE ID: _____

PHONE: _____

FAX: _____

EMAIL: _____

CHECK WHICH FABRIC YOU ARE ORDERING

- Illusion Light Filtering
- Venetian Light Filtering

	FABRIC TYPE	COLOR NAME	COLOR NUMBER	ROOM	QTY	SHADE SIZE (INCHES)		OPTIONS				MOUNT	SPECIAL INSTRUCTIONS
						WIDTH	HEIGHT	SHADE TYPE (CHECK ONE)					
								Standard (Left Stack)	Standard (Right Stack)	Center Split	Stack At Will		
1											Inside		
											Outside		
2											Inside		
											Outside		
3											Inside		
											Outside		
4											Inside		
											Outside		
5											Inside		
											Outside		
6											Inside		
											Outside		

Page _____ of _____

Total

NOTES - Custom Verti-Sheer shade inside mount deduction is 1/4" on the width and 1/2" on the height.

Order form

VERTI-SHEER SHADES



Close the vanes to relax in privacy.